

Vacuum-Automation, Components

Product Information

20-004 / May 2020

PDG

TOPIC: BELL-SHAPED SUCTION CUP SVE FOR BIN-PICKING-APPLICATIONS

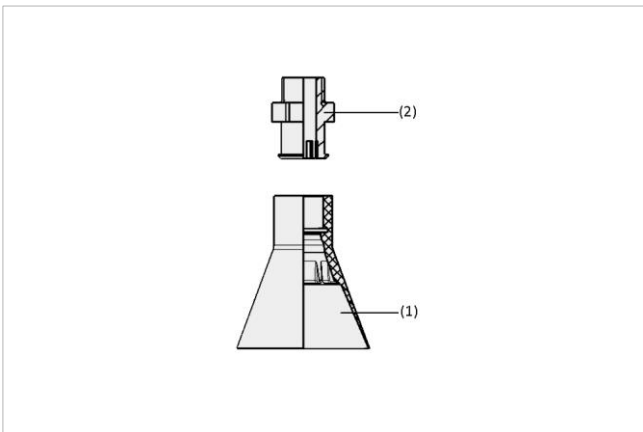
Applications



Bin-Picking Suction Cup SVE

- Bell-shaped suction cup for maximum flexibility on freeform surfaces, corners and edges
- Handling of various workpieces in bin-picking applications
- Handling of consumer goods in segment of warehouse automation

Design



System Design Bin-Picking Suction Cup SVE

- Suction Cup (1) with extremely thin, soft sealing lip
- Inner support surface for best possible adaption to the workpiece
- Use of one-piece insertable connection elements (2) for quick changing of the suction cup
- Connection element with male thread and integrated sealing ring

Highlights/Benefits



Bin Picking Suction Cup SVE for removing spray cans from a box

Our Highlights...

- Extremely thin sealing lip
- Stabilizing inner support surface
- Large nominal flow

Your Benefits...

- Impressive adaption to corners, edges and freeform surfaces
- Safe and flexible handling of different products
- Compensates for leakage on a wide variety of workpieces

Designation Code

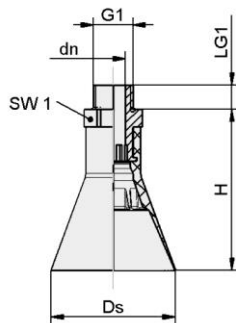
Abbreviated Designation	Suction area \varnothing in mm	Material und Shore hardness	Connection thread
Example: SVE-53-PU-55-G3/8-M	53	PU-55	G3/8-M
SVE	53	PU-55 SI-MD-55	G3/8-M (AG=male (M))

Technical Data

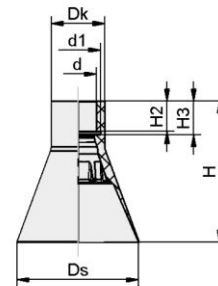
Type	Max. Weight of Workpiece [g]*	Volume [cm ³]	Shore Hardness [ShA]
SVE-53-PU-55-G3/8-M	750	43.0	55
SVE-53-SI-MD-55-G3/8-M	750	43.0	55

*The maximum workpiece weights refer to tests with high volume flow and dry workpiece surface - they are given without safety factors. The actual values may vary depending on the workpiece surface and test condition.

Design Data



SVE-...-M



SVE-...-SC080

Dimensions in mm

Type	SW1	dn	Ds	LG1	G1	H
SVE-53 G3/8-M	22	10.3	52.1	10.0	G3/8-M	68.0

Dimensions in mm

Type	Ds	Dk	d1	d	H	H2	H3
SVE-53 SC080	52.1	23.0	19.6	16.0	60.5	13.0	14.4

Ordering Data

Type	Art-No.
SVE-53-PU-55-G3/8-M	10.01.19.00257
SVE-53-SI-MD-55-G3/8-M	10.01.19.00258

Ordering Data Spare Parts

Type	Art-No.
SVE-53-PU-55-SC080*	10.01.19.00248
SVE-53-SI-MD-55-SC080*	10.01.19.00255

*Suction cup without nipple

Type	Art-No.
SC-080-G3/8-M	10.01.06.02593

Availability:

29.05.2020